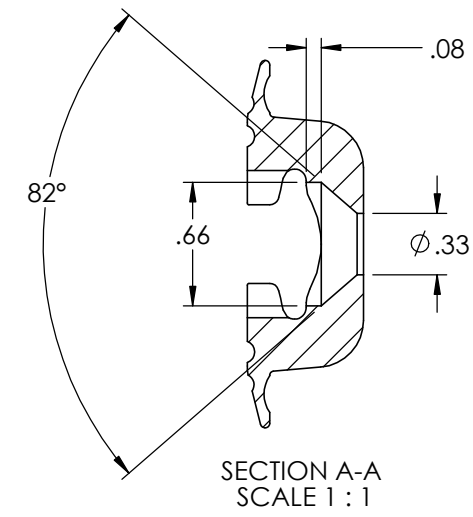
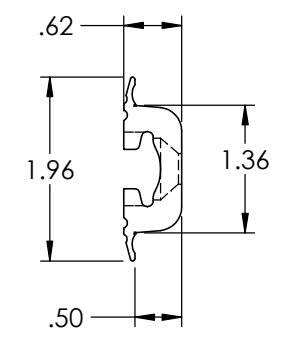
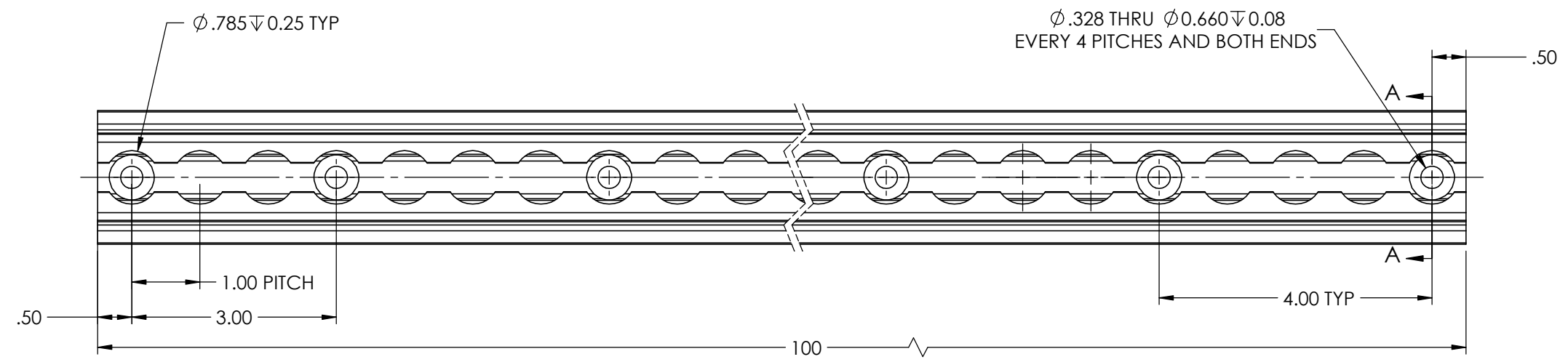


FE753NA100-04-3

REV	ECN	DESCRIPTION	BY	VERIFIED	DATE
A	WS1587	CUSTOMER DRAWING RELEASE	SKY	MG	5/13/13



**APPROVED**  
FOR PRODUCTION RELEASE

BY: \_\_\_\_\_

DATE: \_\_\_\_\_

UNLESS OTHERWISE SPECIFIED:

1. MATERIAL: ALUMINUM 6061-T6
2. FINISH: NONE
3. PART TO BE FREE FROM BURRS AND SHARP EDGES
4. ALL DIMENSIONS ARE FOR REFERENCE ONLY
5. PART NUMBER: FE753NA100-04-3

DIMENSIONS ARE IN INCHES.		INITIAL APPROVAL		THIRD ANGLE PROJECTION			THE USE, DUPLICATION, DISTRIBUTION, OR DISCLOSURE OF THIS DATA (IN WHOLE OR IN PART) FOR PURPOSES OF MANUFACTURING OR PROCUREMENT WITHOUT WRITTEN PERMISSION OF "QSTRAINT" IS EXPRESSLY PROHIBITED.
DRWN:	SKY	03/12/13	PRINTED COPY UNCONTROLLED			DRAWING TITLE: <b>OMNI, L TRK, FLANGED, 100", PREDRILLED, 4" CENTERS, 5/16" MOUNTING HOLES</b>	
ENGR:			ASME Y14.5-2009				
MFG:	MG	5/13/13	SCALE:	SIZE:	TYPE:		
QUAL:			1:2	B	U		

 www.qstraint.com  
 www.sure-lok.com  
 Safe and Secure

DRAWING NUMBER:  
**FE753NA100-04-3**

REV: **A**  
 1 OF 1