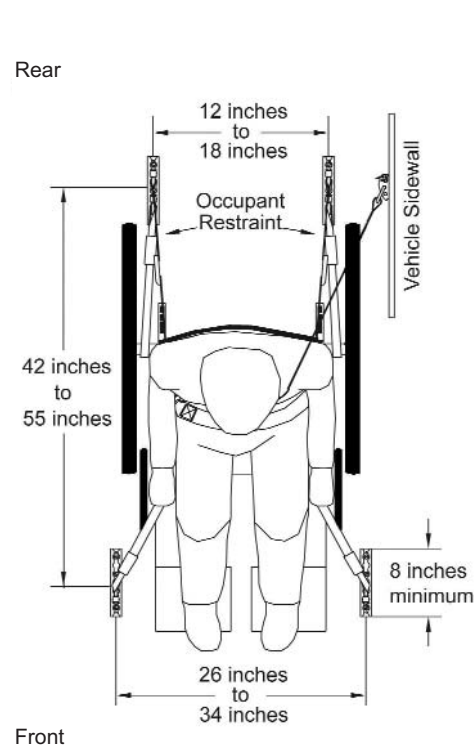


Floor Anchor System Applications

Sure-Lok recommends the following for floor anchor system layout and installation. These recommendations are not all-inclusive and may not be applicable to every system installation. For additional information regarding installation of track and corrosion potential of aluminum L Track, refer to our website at www.sure-lok.com.

Except as noted, the recommended installations on the following pages, when properly done, will comply with 49 CFR Part 571.222 (FMVSS 222) for School Bus Passenger Seating, Crash Protection and 30mph/20g Impact Test Criteria. Each Wheelchair Tie-Down and Occupant Restraint System must be carefully reviewed and approved by the installer to ensure installation meets applicable industry standards. Refer to applicable ADA, CSA, FMVSS, ISO, SAE and vehicle manufacturers' standards for additional information.

L Track Applications



Series L Track Lengthwise Orientation

Recommended Installation:

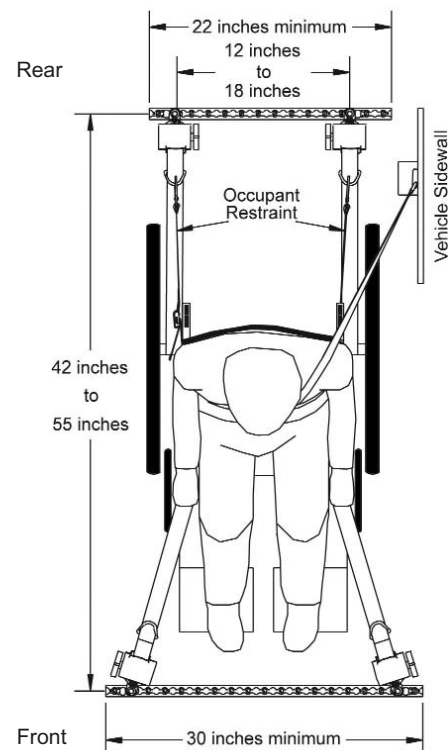
For lengthwise installation, use a minimum of four fasteners or fasteners at 4" intervals, whichever provides the greater number of fasteners.

Use socket head cap screws per ASTM F835 or equivalent. Minimum size is 1/4" with 82° flathead.

Sure-Lok offers special cap screws to minimize corrosion potential. Series L Track Installation Hardware Kit, part number FE201005 includes 1/4" diameter 82° countersunk fasteners. Series L Track Installation Hardware Kit, part number FE201006 includes 5/16" diameter 82° countersunk fasteners. For more information on Series L Track Installation Hardware Kits, refer to page 24.

The FE200762 and FE200765 are installed lengthwise with 3/8" grade 5 hexhead bolts on 8" centers.

Use appropriate back-up washers as needed to comply with local and/or Federal requirements.



Series L Track Widthwise Orientation

Recommended Installation:

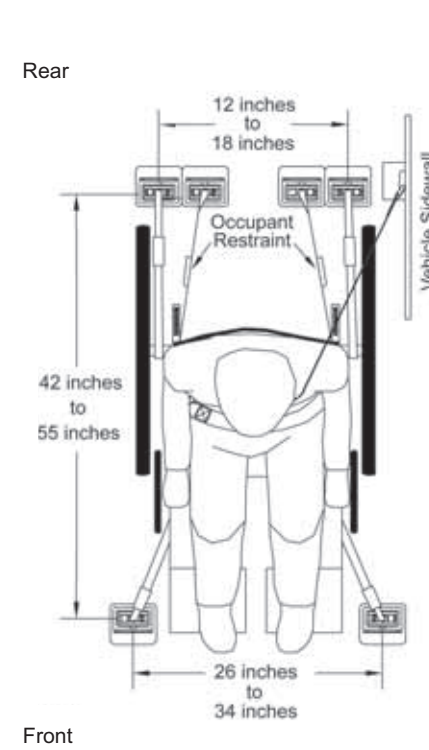
For widthwise installation, use a minimum of four fasteners or fasteners at 2" intervals, whichever provides the greater number of fasteners.

Use socket head cap screws per ASTM F835 or equivalent. Minimum size is 1/4" with 82° flathead.

Sure-Lok offers special cap screws to minimize corrosion potential. Series L Track Installation Hardware Kit, part number FE201005 includes 1/4" diameter 82° countersunk fasteners. Series L Track Installation Hardware Kit, part number FE201006 includes 5/16" diameter 82° countersunk fasteners. For more information on Series L Track Installation Hardware Kits, refer to page 24.

The FE200762 and FE200765 installed widthwise meets ADA strength requirements when used with 3/8" grade 5 hexhead bolts on 8" centers. This application does not meet 30mph/20g Impact Test Criteria.

Use appropriate back-up washers as needed to comply with local and/or Federal requirements.



Series L Floor Plate Kits

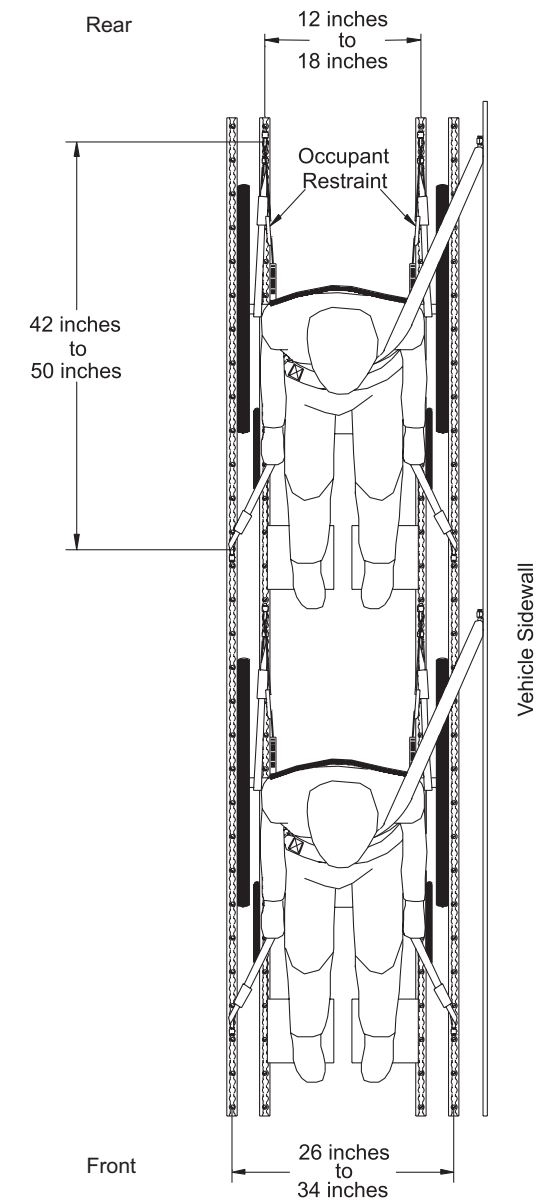
Recommended Installation:

Sure-Lok Series L Floor Plate Kits come with installation hardware included. Each kit also comes with complete installation instructions.

For Integrated Lap Belt, only two floor plates are needed at the rear.

⚠ WARNING The Sure-Lok products that you select must be suitable for your particular application. Installation of products that are not suitable or are installed in an unsuitable manner may result in a failure of proper securement of the wheelchair and occupant. This failure can result in injury or death to the occupant, other passengers or driver and wheelchair damage.

⚠ WARNING The vehicle floor and sidewall structures, where the system anchorages are attached, must have sufficient strength to meet applicable federal government and recommended industry standards.

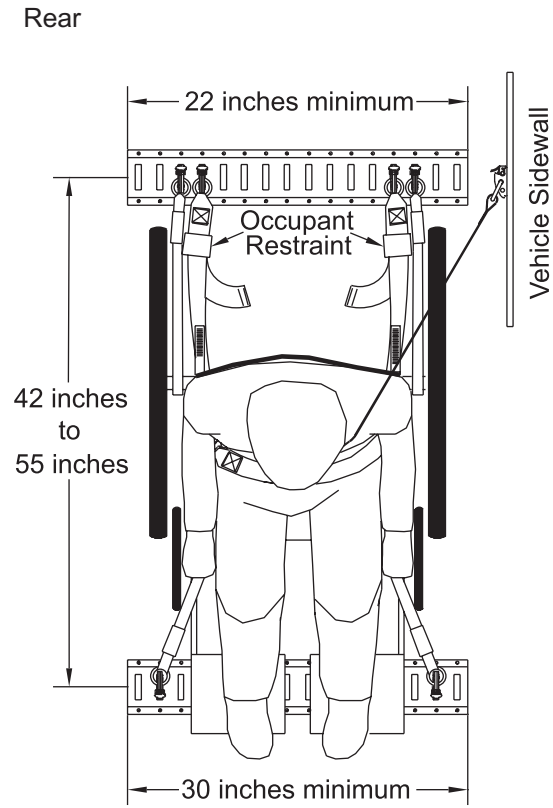


Series L Track Multiple Positions

Recommended Installation:

Refer to recommended installation for lengthwise Series L Track on Page 26.

A Track Applications



Front

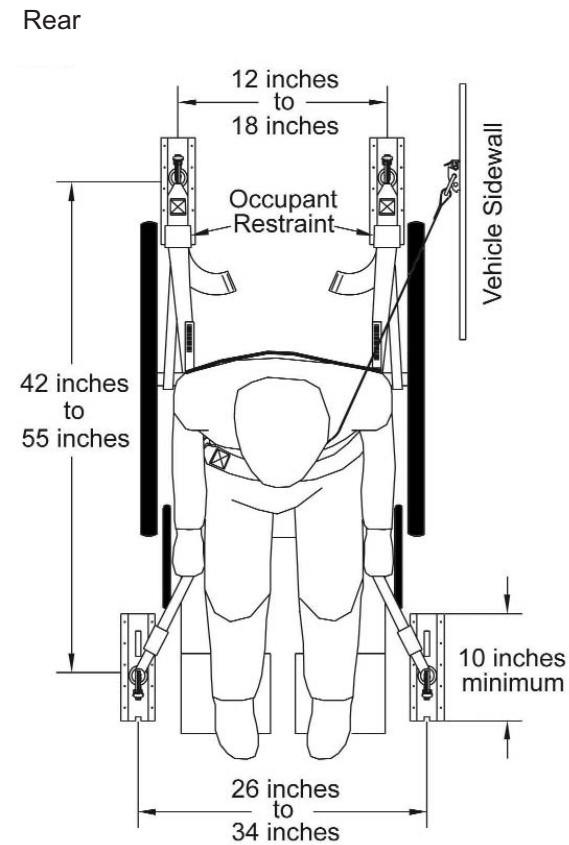
Heavy-Duty Series A Horizontal Track Widthwise Orientation

Recommended Installation for all Series A Track:

For widthwise installation, use a minimum of four fasteners or fasteners at 4" intervals on each side of the track, whichever provides the greater number of fasteners.

Use grade 5 or equivalent fasteners of 1/4" minimum size.

Use appropriate back-up washers as needed to comply with local and/or Federal requirements.



Front

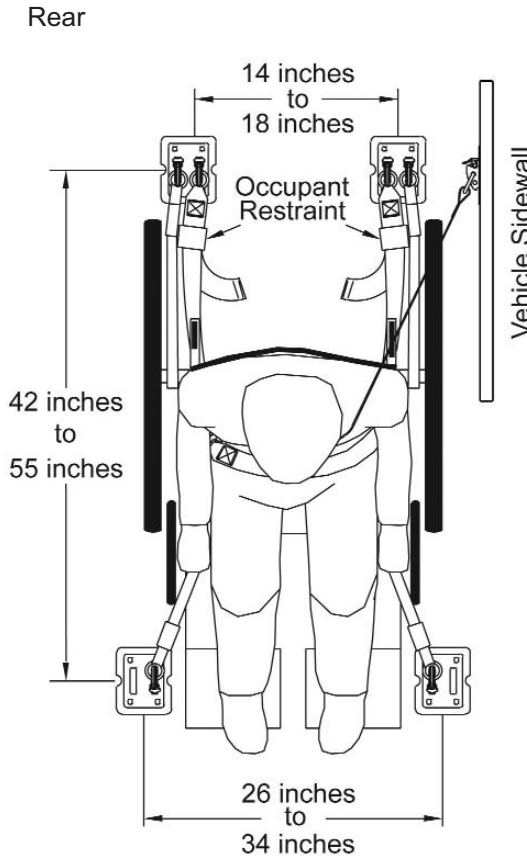
Heavy-Duty Series A Vertical Track Lengthwise Orientation

Recommended Installation for all Series A Track:

For lengthwise installation, use a minimum of four fasteners or fasteners at 4" intervals on each side of the track, whichever provides the greater number of fasteners.

Use grade 5 or equivalent fasteners of 1/4" minimum size.

Use appropriate back-up washers as needed to comply with local and/or Federal requirements.



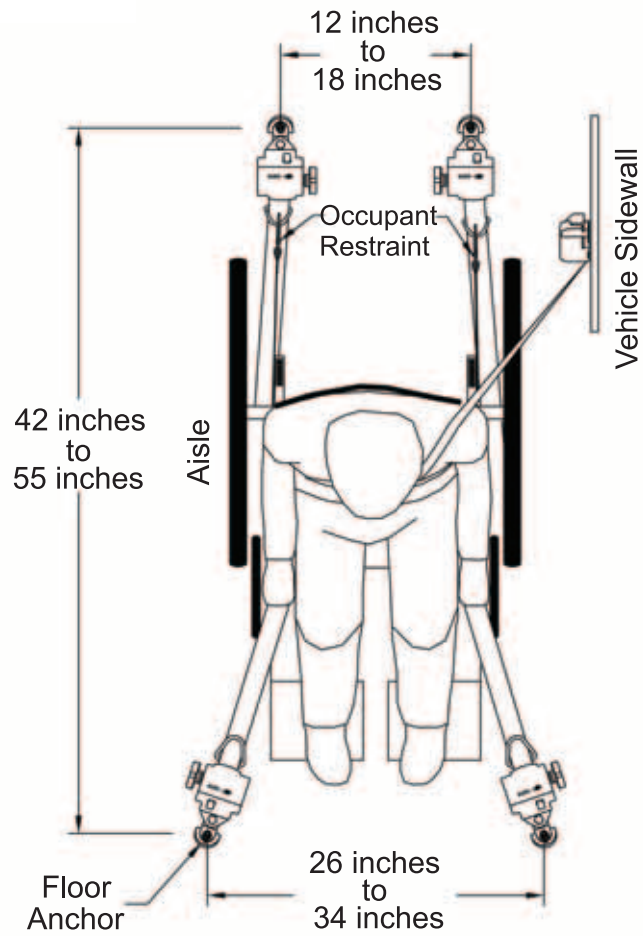
Front

Heavy-Duty Series A Floor Plate Kit

Recommended Installation:

Sure-Lok Series A Floor Plate Kit comes with installation hardware included. Each kit also comes with complete installation instructions.

Rear



Front

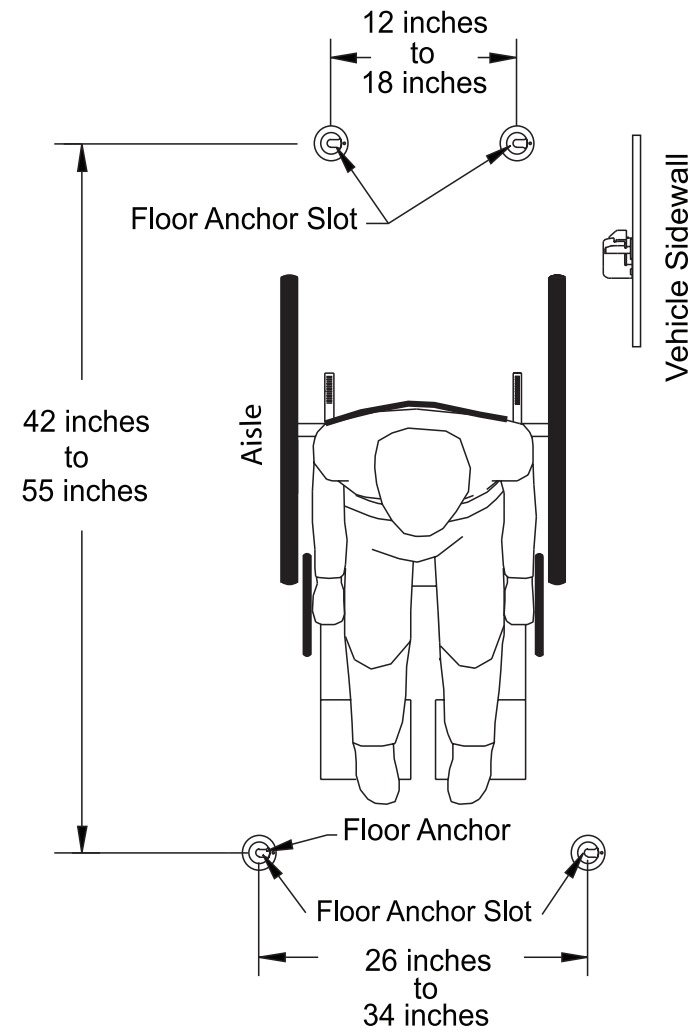
Solo Floor Anchor Fitting

Recommended Installation:

Sure-Lok Solo Floor Anchor Fitting comes with the Anchor Backing Plate, Lock Washer and Nut. Each kit comes with complete installation instructions.

All Solo Floor Anchor installations require the use of the Solo Anchor Installation Tool, sold separately. The tool prevents the floor anchor from rotating during installation. Refer to page 24.

Rear



Front

Solo Floor Anchor Slot Position

Recommended Installation:

It is essential that the direction of the slot on each Solo Floor Anchor is positioned facing the vehicle sidewall, as shown above.

Sure-Lok, Inc.
2501 Baglyos Circle
Bethlehem, PA 18020-8027

www.sure-lok.com

Phone: 610-814-0300
Toll Free: 866-SURE-LOK (787-3565)

Fax: 610-814-0644
Toll Free: 866-TIE-DOWN (843-3696)

